

US PRODUCT SHEET

CONCORDE



Non contractual picture

AAE CONCORDE US FP

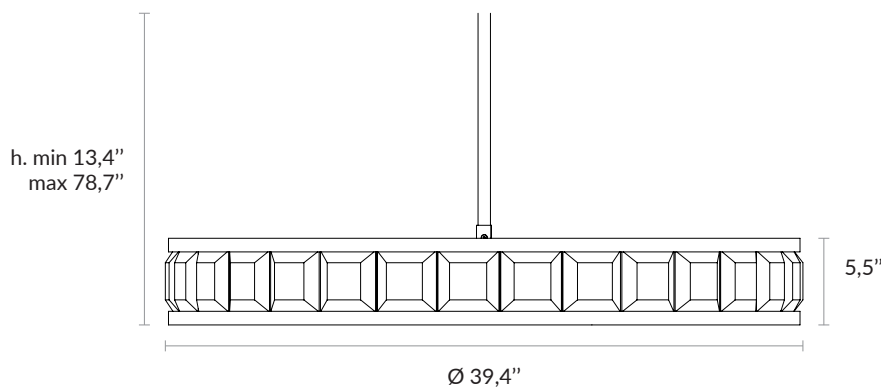


Alain Ellouz
.paris

Type	Chandelier Equipped with UL listed components
Environment	Indoor
Material	Rock crystals 3,9" x 3,9" , aluminium, steel and stainless steel Overall drop : min h. 13,4"- max h. 78,7"
Suspension system	Ceiling plate or false ceiling system and metal rod Ø 1"
Lighting system	LED Strip 2,9W/ft (2700K or 3000K) - Dimmable intensity Remote transformer (concealed option upon request)
Voltage	24 V : transformer provided
Wattage / Lumens	75 W / 1224 lm

References	Polished gold	COL-0510
	Antique brass	COL-0512
	Polished stainless steel	COL-0514

Dimensions :



Weight :

110,2 lb / 50 Kg

2 years warranty. General terms and conditions of sales

FIXING SYSTEMS AND FINISHES

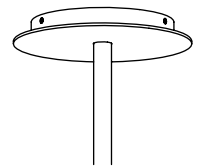
- **HIDDEN INDIVIDUAL FIXING**

System adapted to false ceilings for an aspect without a visible fixation (the rod comes out directly from the ceiling). The hole in the false ceiling can be finished with an eyelet .



- **CONCORDE CANOPY**

Individual ceiling fixing.



Ø 7,9" x h 1"

- **RODS AND CANOPY FINISHES**

Metal plating finish :



Antique brass
Bronze médaille
ref : dcl-005



Golden polish
Poli doré
ref : dcl-010

Metal plating finish :



Polished stainless steel
Inox
ref : dcl-003